

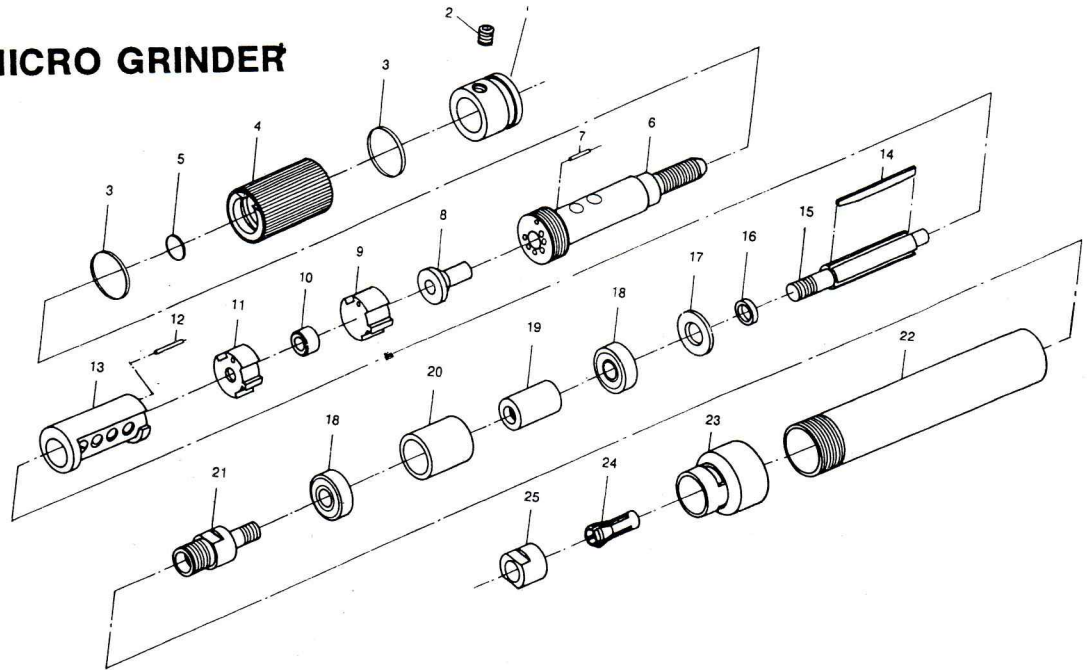


**PNEUMATIC TOOLS**

MODEL NO. SP516



## AIR MICRO GRINDER



### PART LIST

Gur nr. Item No	Teil Nr Part No	Description	Gur nr. Item No	Teil Nr Part No	Description
01	700001	Rear End Holder	14	560013	Rotor Blade
02	560002	Screw	15	700015	Rotor
03	560004	O-ring	16	560015	Spacer
04	700004	Sliding Knob	17	560016	Lateral Disc
05	560005	O-ring	18	560017	Ball Bearing
06	560007	Hose Plug	19	700019	Interior Bearing Retainer Bushing
07	560006	Pin	20	700020	Outer Bearing Retainer Bushing
08	700008	Plug	21	700021	Collet Foundation
09	560008	Intake Plate	22	700022	Sleeve
10	560009	Ball Bearing	23	700023	Front Cover
11	560011	Bearing Plate	24	560021	Collet
12	560010	Pin	25	700025	Clamping Nut
13	560014	Cylinder			

### PLEASE READ FOLLOWINGS CAREFULLY BEFORE OPERATING:

- 1) Avoid heavy power impact to damage the precious Front Chuck.
- 2) To get the Abrasive Wheel tighten, please use wrench to turn reverse side.
- 3) Before application, please be sure the Rotary Mounted Point is straight.
- 4) Always wear Safety Goggles to guard against eye injury caused by flying particles.
- 5) Suggest to use light density, non-detergent lubricant oil (i.e. #60).
- 6) Applicable to air working pressure 0-90 PSIG, regular speed: 56000 RPM.