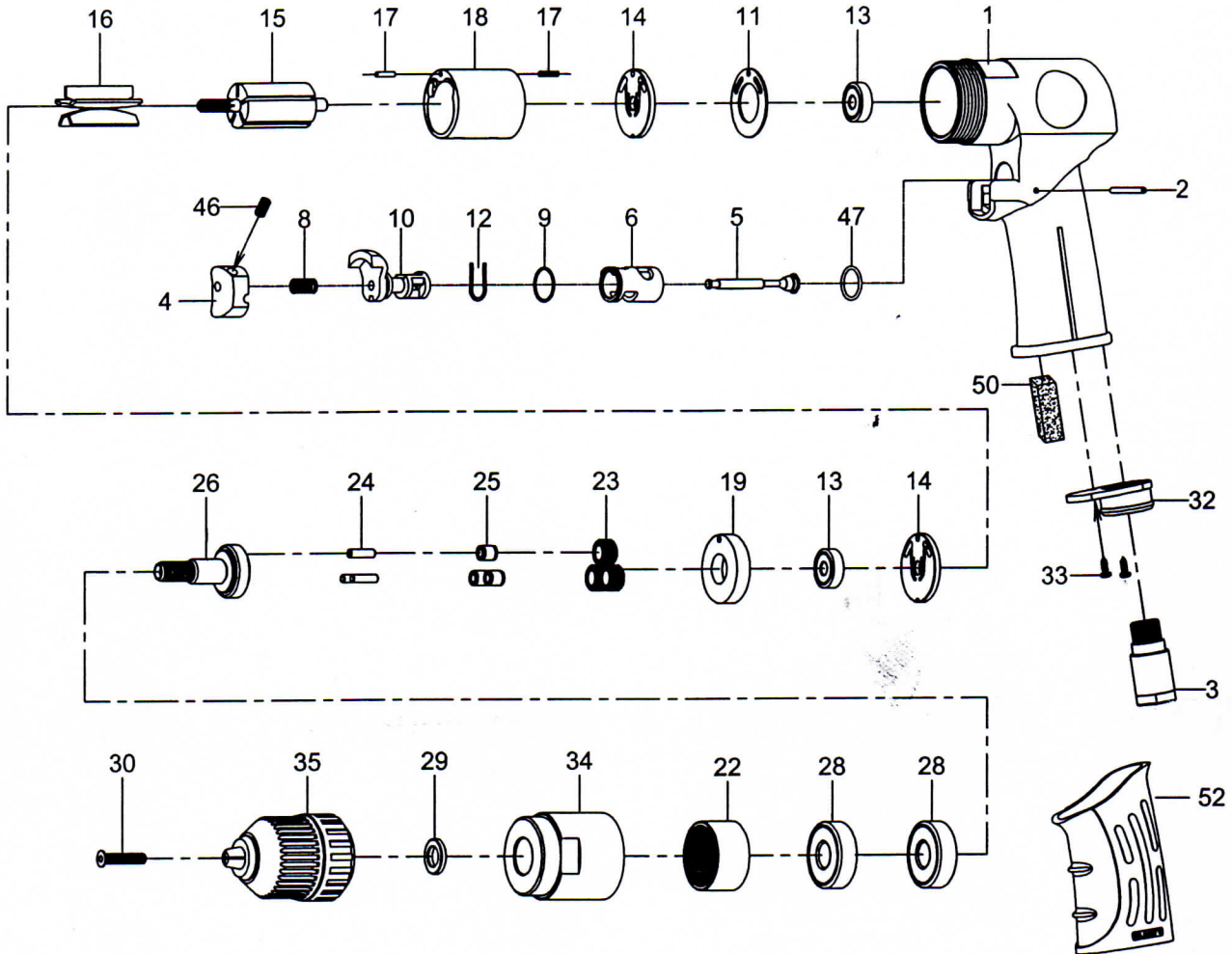


# SURE SP7955

## 3/8" REVERSIBLE DRILL



Index No.	Parts No.	Description	Index No.	Parts No.	Description
1	822501	Motor Housing	19	80219	Spacer
2	822202	Pin (Ø2.5*26.8L)	22	80222	Internal Gear
3	70103	Air Inlet	23	80223	Planet Gear (3)
4	82204	Trigger	24	30124	Pin (3) (Ø4*13.8L)
5	82205A	Valve Stem Set	25	80225	Bushing (3)
6	82206	Reverse Bushing	26	70526	Work Spindle
8	82208	Valve Spring	28	080227	Ball Bearing (2) (6201Z)
9	82209	O-Ring (Ø14*Ø1.0)	29	70133	Chuck Washer
10	82210	Reverse Lever	30	70530-11	Screw (M5*25L)
11	80211	Motor Gasket	32	70110	Exhaust Diffuser
12	82212	Reverse Retainer	33	40309	Screw (2) (TS2.9)
13	030113	Ball Bearing (2) (626ZZ)	34	70534	Clamp Nut
14	80214	End Plate (2)	35	10035-12	Keyless Chuck (3/8")
15	80215	Rotor	46	82246	Set Screw (M5*8L)
16	80216	Rotor Blades (5)	47	82247	O-Ring (Ø13.5*Ø1.5)
17	80217	Spring Pin (2) (Ø2.5*10L)	50	82250	Damping Diffuser
18	80218	Cylinder	52	751152-12	Rubber Grip

7955-0002

11.04.2003