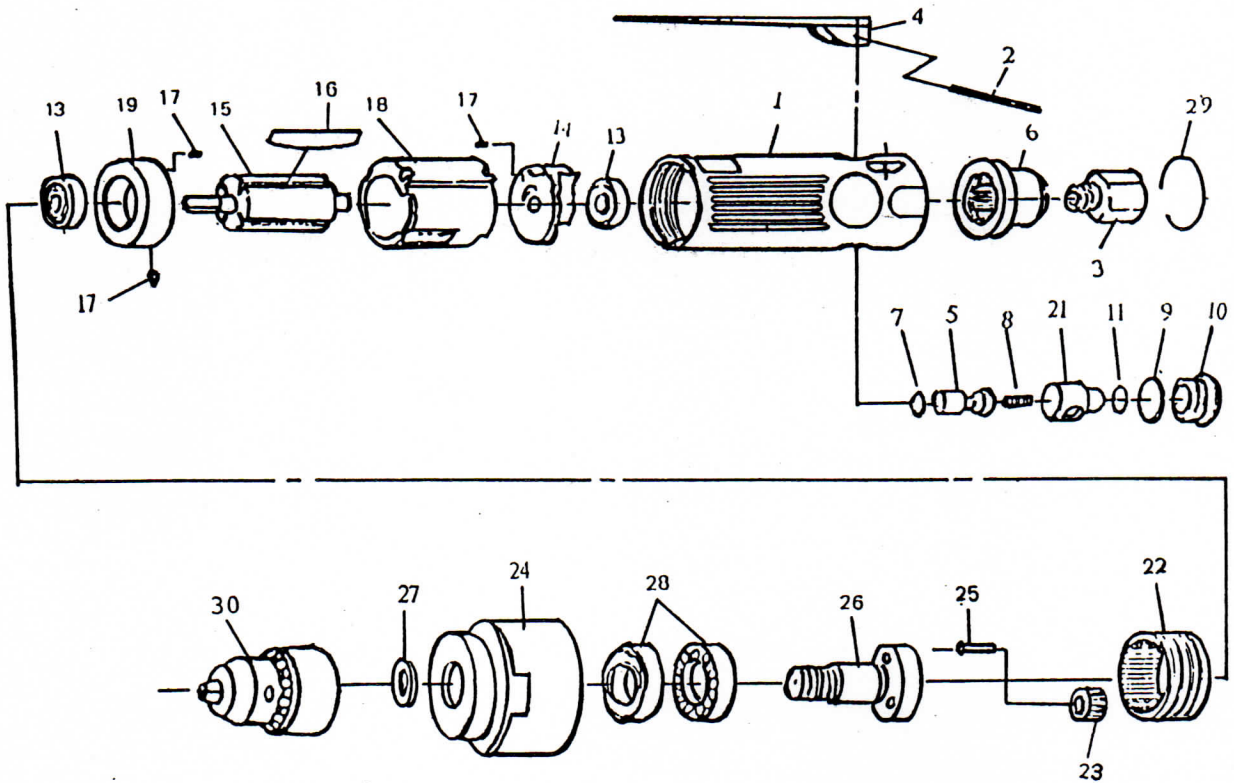




3/8" STRAIGHT DRILL 2600 RPM



INDEX NO.	PARTS NO.	DESCRIPTION	INDEX NO.	PARTS NO.	DESCRIPTION
1	71001	MOTOR HOUSING	16	71016	ROTOR BLADES (4)
2	71002	LEVER PIN	17	71017	PIN (3)
3	71003	AIR INLET	18	71018	CYLINDER
4	71004	THROTTLE LEVER	19	71019	FRONT END PLATE
5	71005	VALVE STEM	21	71021	AIR REGULATOR
6	71006	EXHAUST DEFLECTOR	22	71022	INTERNAL GEAR
7	71007	O-RING	23	71023	PLANET GEARS (3)
8	71008	VALVE SPRING	24	71024	FRONT HOUSING
9	71009	O-RING	25	71025	PIN (3)
10	71010	THROTTLE VALVE PLUG	26	71026	PLANET CAGE
11	71011	O-RING	27	71027	CHUCK SPACER
13	71013	BALL BEARING (2)	28	71028	BALL BEARING (2)
14	71014	REAR END PLATE	29	71029	RETAINER RING
15	71015	ROTOR	30	71030	DRILL CHUCK (3/8")